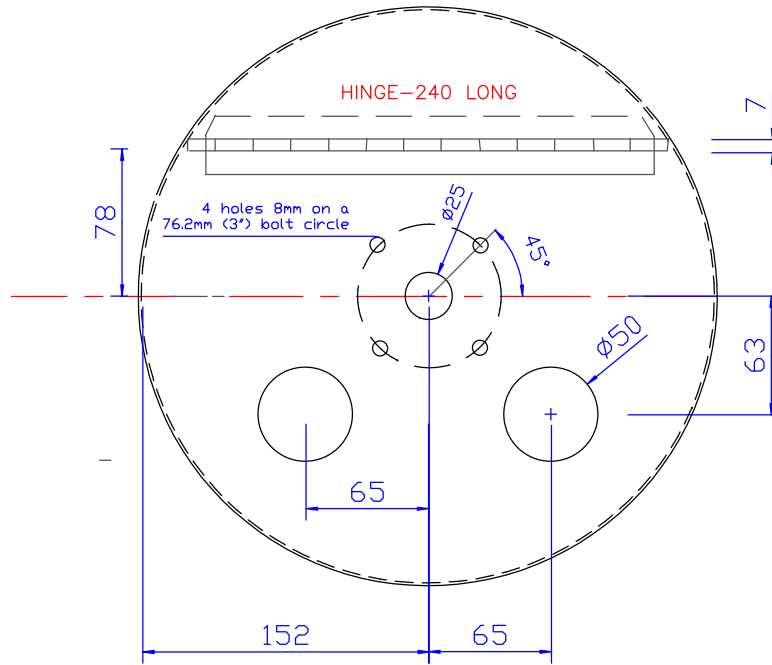
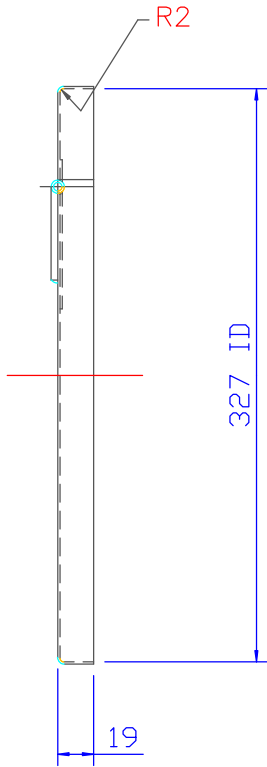
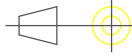


ALL DIMENSIONS ARE IN MILLIMETRES UNLESS OTHERWISE STATED

FIRST ANGLE PROJECTION



MATERIAL: 18SWG STAINLESS STEEL

FINISH: BRIGHT ANNEALED

SPINNING LIMITS: ± 0.8mm

REV. ZONE				
REV. NO.	0	1		
REVISION DESCRIPTION	ORIGINAL ISSUE			
DATE	12.6.02			
SIG.	PJH			

The contents of this drawing are subject to copyright and must not be disclosed to a third party or reproduced without the permission of Powerwise.

DRAWN	PJH	CAD REF. DRG/INKPUMPS	NO.33M
CHECKED		LID DETAIL [HINGED]	
APPROVED		INK PUMP [U.S.A.]	
DATE	12/6/02		
SCALE	1:2		
DRAWING NO.		033M	SHEET NO. 1
			NO. OF SHEETS 1
			A2

