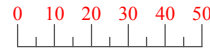
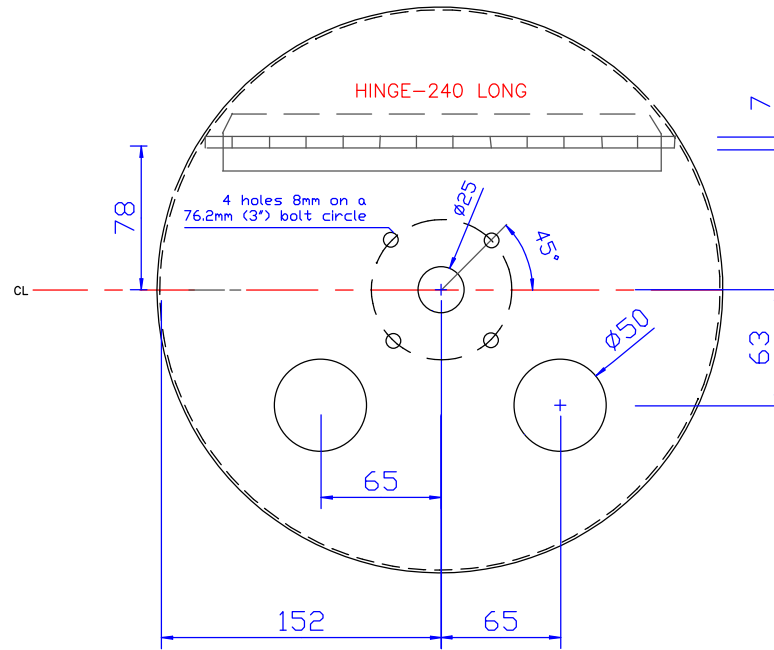
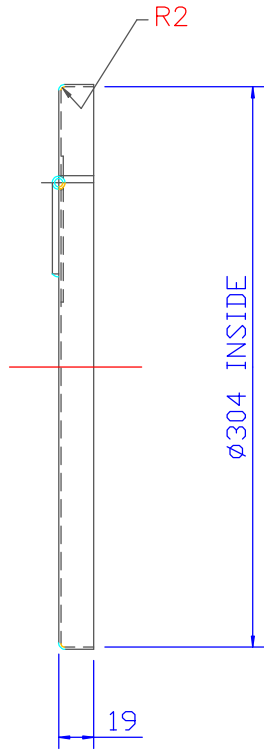
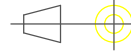


ALL DIMENSIONS ARE IN MILLIMETRES UNLESS OTHERWISE STATED

FIRST ANGLE PROJECTION



MATERIAL: 18SWG STAINLESS STEEL

FINISH: BRIGHT ANNEALED

SPINNING LIMITS:  $\pm 0.8\text{mm}$

REV. ZONE	REV. NO.	DESCRIPTION	DATE	SIG.
	0	ORIGINAL ISSUE	12.6.02	PJH
	1			

The contents of this drawing are subject to copyright and must not be disclosed to a third party or reproduced without the permission of Powerwise.

DRAWN	PJH	CAD REF. DRG/INKPUMPS	NO.32M
CHECKED		LID DETAIL [HINGED]	
APPROVED		INK PUMP [U.S.A.]	
DATE	12/6/02		
SCALE	1:2		
DRAWING NO.		032M	SHEET NO. 1
			NO. OF SHEETS 1
			A2

