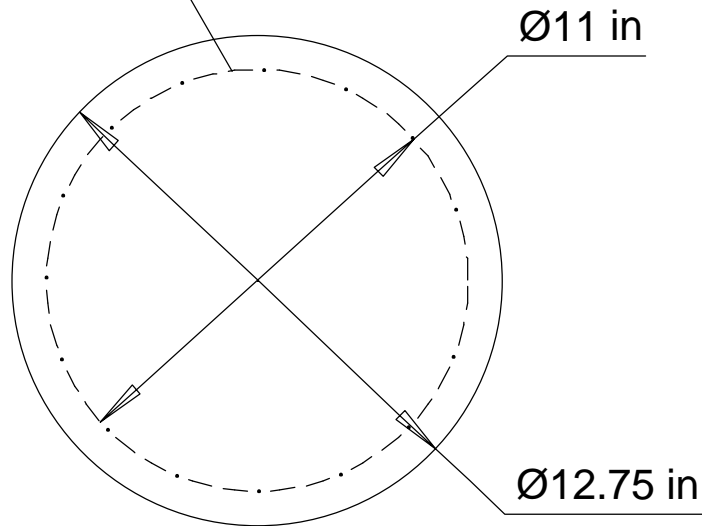
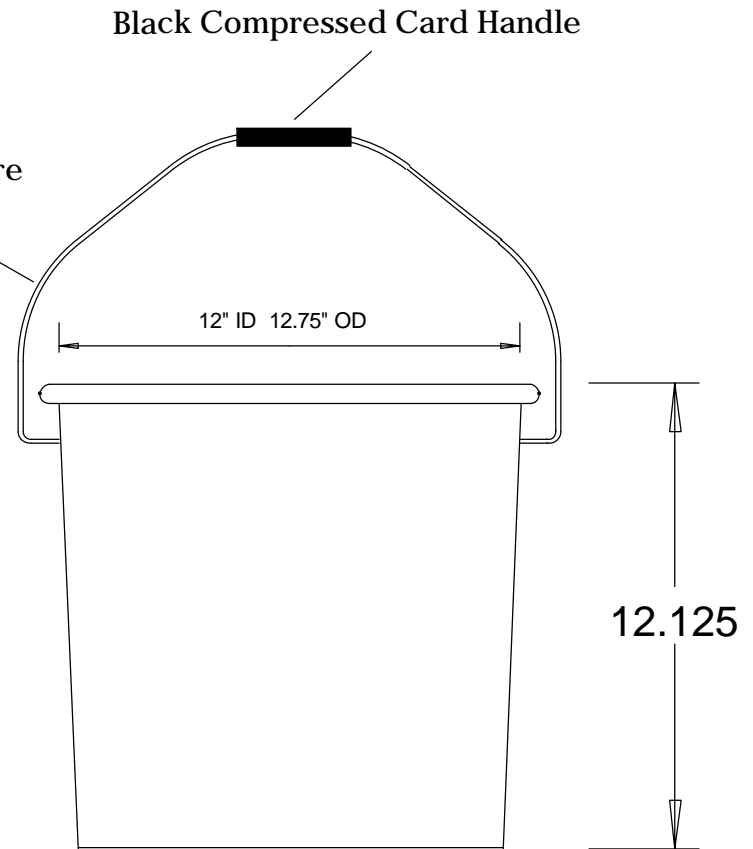


Dotted line represents to the bottom of the pail.



Steel handle wire
0.125"



Black 20 Liter Mild Steel Container with Handle
 Inside Coated suitable for solvent based ink.
 Lip and Taper standard.

The contents of this drawing are subject to copyright and must not disclosed to a third party or reproduced without the permission of Powerwise Corporation.



Drawing No.	042	
Description	20 Liter Mild Steel Coated Container	
Scale	1:5	Issue 1
Date	January 29th 2003	Author PJH

Powerwise
Ink Pumps

48 Davies Avenue Heald Green, Cheadle Cheshire SK8 3PG England Tel: 0161 498 9419 Fax: 0161 437 4936 www.powerwise.com	2700 West 21st St Erie PA 16506 USA Tel: 814 833 3715 Fax: 814 838 3850 sales@powerwise.com
--	--